



Front/Carcase	Colour code
Alpine white	AR901



Alpine white



Aluminium-coloured handles



# Quality features

rauch BLUE



Interior colour  
Texline  
colour



Metal guide  
rails, rauch  
EASY SLIDE



Drawers on si-  
lent ball-bea-  
ring  
runners



Optional  
dampers for  
hinged and  
gliding doors



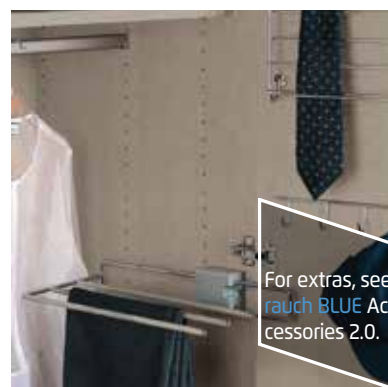
NEW

The new gua-  
rantee of origin  
when buying  
furniture.



NEW

The quality  
mark für  
quality-tested  
furniture



For extras, see  
rauch BLUE Ac-  
cessories 2.0.

Top work-  
manship

Proven  
fittings tech-  
nology

Easy to as-  
semble

Practical ac-  
cessories

## Material information



### Colour

Furniture with colour finish has an evenly attracti-  
ve, hard-wearing surface.



### WOODMAX chipboard

This healthy green-wood chipboard was designed specifically for use in living areas. Our Woodmax chipboard is made only from pollutant-free small-diameter logs and windfall timber from sustainably managed forestry operations in regional woods.



### Load-bearing capacity

The load limits for all furniture and extras can be found in the load table at:  
[www.rauchmoebel.de/unternehmen/qualitaet-amp-umwelt.html](http://www.rauchmoebel.de/unternehmen/qualitaet-amp-umwelt.html)

### Our natural raw material

Rauch has won various awards for the material used in its boards. Strict tests by impartial institutes consistently confirm that our materials and processes are not harmful to health.

## Award-winning and certified

**made in GERMANY**  
Sustainability assured

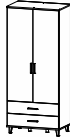
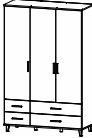
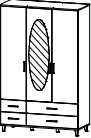


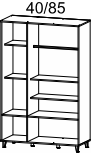




[www.biauer-engel.de/uz38](http://www.biauer-engel.de/uz38)

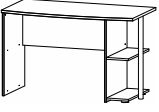
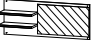


- low emissions
- wood from sustainable forestry
- no adverse impact on health in the living environment






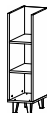
Front/Carcase	Colour code
Alpine white	AR901

WARDROBES		Hinged door wardrobes		
Article	Price			
				
		hinged door wardrobe 2-door, 2 drawers	hinged door wardrobe 3-door, 4 drawers	hinged door wardrobe 3-door, 1 mirror door, 4 drawers
		↔85 cm †196 cm ↗52 cm	↔127 cm †196 cm ↗52 cm	↔127 cm †196 cm ↗52 cm
		<b>0A0P</b>	<b>0A0R</b>	<b>0A3U</b>


ANBAUTEILE				
Article	Price			
		shelf unit with 3 shelves	chest with 4 shelves	
		↔69 cm †157 cm ↗34 cm	↔92 cm †109 cm ↗34 cm	
		<b>8427</b>	<b>8421</b>	

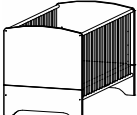



MATCHING PIECES					
Article	Price				
		desk	mirror	wall rack	
		↔120 cm †75 cm ↗64 cm	horizontal with 2 shelves ↔120 cm †47 cm ↗24 cm	↔47 cm †22 cm ↗24 cm	
		<b>950F</b>	<b>630S</b>	<b>8867</b>	<b>8869</b>

Front/Carcase	Colour code
Alpine white	AR901


MATCHING PIECES		Changing unit	
Article	Price	  	
		changing unit	shelf unit
		1-door, 2 drawers	
		↔116 cm †98 cm ↗79 cm	↔23 cm †87 cm ↗40 cm
		<b>035U</b>	<b>6285</b>

**HINWEIS!**  
Für Wickelkommode Wandbefestigung erforderlich.  
Stellbeispiel für den Regalunterbau, einseitig oder beidseitig.

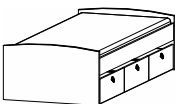
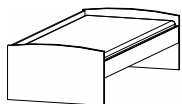




BEDS		Lattice bed	
Article	Price	  	
		cot incl. slat	pair of bed sides
		4 times height-adjustable	
		70/140 ↔77 cm †86 cm ↗143 cm BG 70	↔141 cm †24 cm ↗2 cm
		<b>71A5</b>	<b>71B0</b>

**HINWEIS!**  
Mit den Bettseiten kann das Sprossenbett zu einem Kinderbett umfunktioniert werden.



bedding box on rollers
↔59 cm †16 cm ↗108 cm
<b>9901</b>

BEDS		Sofa beds			
Article	Price				
		bed	bed	bedding box on rollers	chest on castors
		3 drawers		including slat Tandem bed max. mattress height 18 cm	
		90/200 ↔95 cm †54 cm ↗206 cm BG 90	90/200 ↔94 cm †54 cm ↗206 cm BG 90	↔94 cm †24 cm ↗199 cm	↔50 cm †41 cm ↗37 cm
		<b>0484</b>	<b>909P</b>	<b>9900</b>	<b>6920</b>